



US0D1045749S

(12) **United States Design Patent**  
**Zagade et al.**

(10) **Patent No.:** **US D1,045,749 S**

(45) **Date of Patent:** **\*\* Oct. 8, 2024**

- (54) **WHEEL HUB**
- (71) Applicant: **DEERE & COMPANY**, Moline, IL (US)
- (72) Inventors: **Rohan Ashok Zagade**, Pune (IN);  
**Loren A. Zabel**, Grovetown, GA (US);  
**Craig E. Rehmert**, Fairbank, IA (US);  
**Ashirvad D. Patil**, Pune (IN)
- (73) Assignee: **DEERE & COMPANY**, Moline, IL (US)

5,842,750 A \* 12/1998 Murray ..... B29C 33/0038  
301/37.101  
D591,215 S \* 4/2009 Weigand ..... D12/207  
D659,624 S \* 5/2012 Farradas ..... D12/207  
D702,174 S 4/2014 Gordon  
(Continued)

**FOREIGN PATENT DOCUMENTS**

CN 200830195796 \* 8/2009  
CN 201930006056.1 \* 6/2019  
(Continued)

**OTHER PUBLICATIONS**

John Deere, posting date N/A [online], [retrieved Mar. 13, 2024]. Retrieved from internet, <https://shop.deere.com/us/product/H150781%3A-Hub/p/H150781> (Year: 2024).\*

(Continued)

*Primary Examiner* — Garth Rademaker  
*Assistant Examiner* — Aaron C Fowler

- (\*\*) Term: **15 Years**
- (21) Appl. No.: **29/865,210**
- (22) Filed: **Jul. 14, 2022**
- (51) **LOC (14) Cl.** ..... **12-16**
- (52) **U.S. Cl.**  
USPC ..... **D12/213**
- (58) **Field of Classification Search**  
USPC ..... D12/202, 204, 205, 206, 207, 208, 209,  
D12/210, 211, 212, 213; D21/563  
CPC .... B60B 1/00; B60B 1/02; B60B 1/08; B60B  
1/10; B60B 1/12; B60B 3/00; B60B  
3/001; B60B 3/002; B60B 3/02; B60B  
3/04; B60B 3/06; B60B 3/10; B60B 5/00;  
B60B 7/00; B60B 7/0013; B60B 7/0026;  
B60B 7/01; B60B 7/02; B60B 7/04;  
B60B 7/06; B60B 7/18; B60B 9/00;  
B60B 21/00  
See application file for complete search history.

(57) **CLAIM**

The ornamental design for a wheel hub, as shown and described.

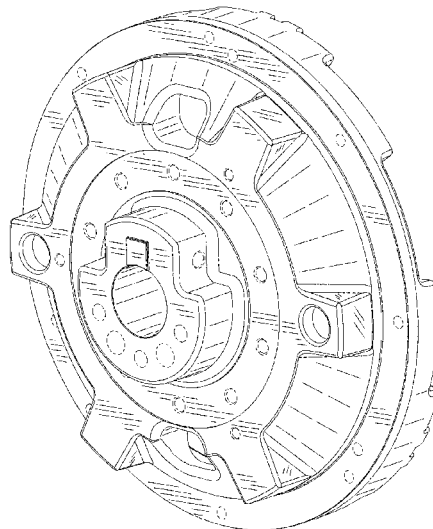
**DESCRIPTION**

FIG. 1 is a top, front, right perspective view of a wheel hub according to our new design;  
FIG. 2 is a right side elevational view thereof;  
FIG. 3 is a left side elevational view thereof;  
FIG. 4 is a front elevational view thereof;  
FIG. 5 is a rear elevational view thereof;  
FIG. 6 is a top plan view thereof;  
FIG. 7 is a bottom plan view thereof; and,  
FIG. 8 is a bottom, rear, right perspective view thereof.  
The broken line representations in the figures show unclaimed environment or boundaries, and thus form no part of the claimed design.

**1 Claim, 8 Drawing Sheets**

(56) **References Cited**  
**U.S. PATENT DOCUMENTS**

D182,723 S	5/1958	Judson	
3,560,031 A	2/1971	Gilmour, Jr.	
D292,200 S *	10/1987	Carmichael	D12/207
D300,526 S *	4/1989	Gilliam	D12/210
D333,647 S *	3/1993	Carmichael	D12/209
D359,021 S *	6/1995	Snook	D12/207



(56)

**References Cited**

U.S. PATENT DOCUMENTS

D755,696 S 5/2016 Lickliter  
 D776,038 S \* 1/2017 Hensel ..... D12/207  
 9,616,706 B2 4/2017 Benoit, Jr.  
 9,752,647 B2 \* 9/2017 Röckl ..... F16F 15/324  
 D829,152 S \* 9/2018 Caldwell ..... D12/209  
 D834,475 S \* 11/2018 Rode ..... D12/180  
 10,406,853 B2 9/2019 Moen et al.  
 10,457,092 B2 \* 10/2019 Bhosale ..... B60B 15/28  
 D899,527 S \* 10/2020 Privitelli ..... D21/423  
 10,821,775 B2 11/2020 Verheye  
 D924,767 S \* 7/2021 Piele ..... D12/207  
 D927,384 S \* 8/2021 Oscroft ..... D12/207  
 D941,221 S 1/2022 Mukti  
 D949,083 S 4/2022 Jansen

FOREIGN PATENT DOCUMENTS

EM 009186299 \* 2/2023  
 TW 1827230001 5/2017

OTHER PUBLICATIONS

John Deere 2, posting date N/A [online], [retrieved Mar. 13, 2024]. Retrieved from internet, <https://shop.deere.com/us/product/N306957%3A-Rear-Wheel-Hub/p/N306957> (Year: 2024).  
 Hines, posting date N/A [online], [retrieved Mar. 13, 2024]. Retrieved from internet, <https://hinesredtractorparts.com/products/rear-wheel-hub-ih-international-398545r1-used> (Year: 2024).  
 Big Iron, posted May 21, 2020 [online], [retrieved Mar. 13, 2024]. Retrieved from internet, <https://www.bigiron.com/Lots/JohnDeereCastCenterRearWheels> (Year: 2020).\*

\* cited by examiner

FIG. 1

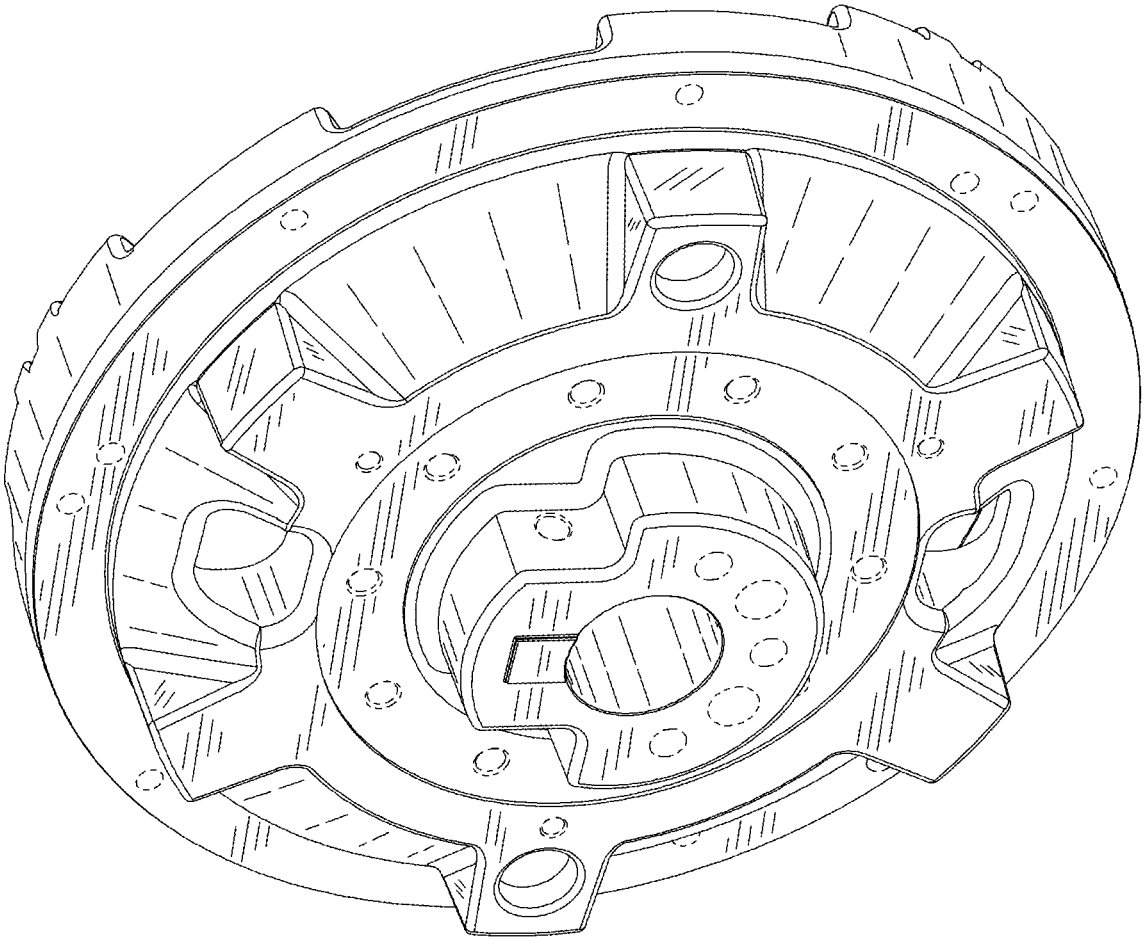
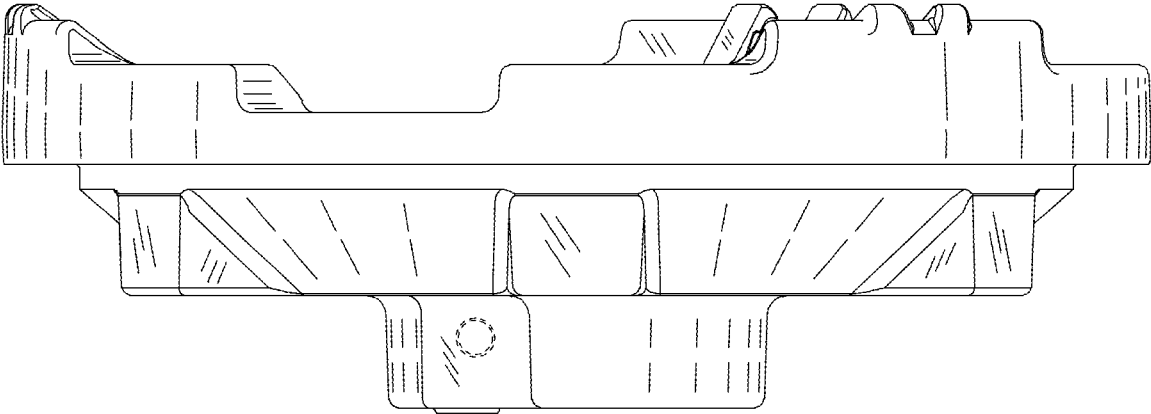


FIG. 2



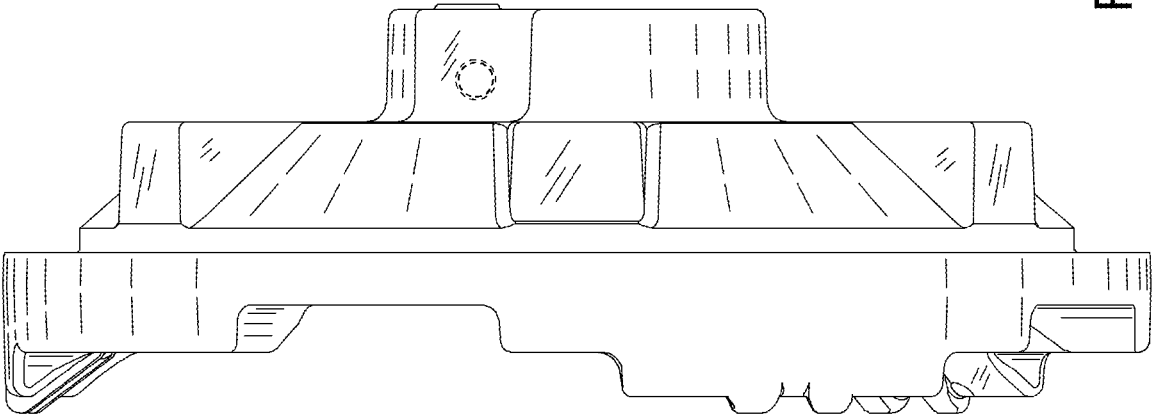


FIG. 3

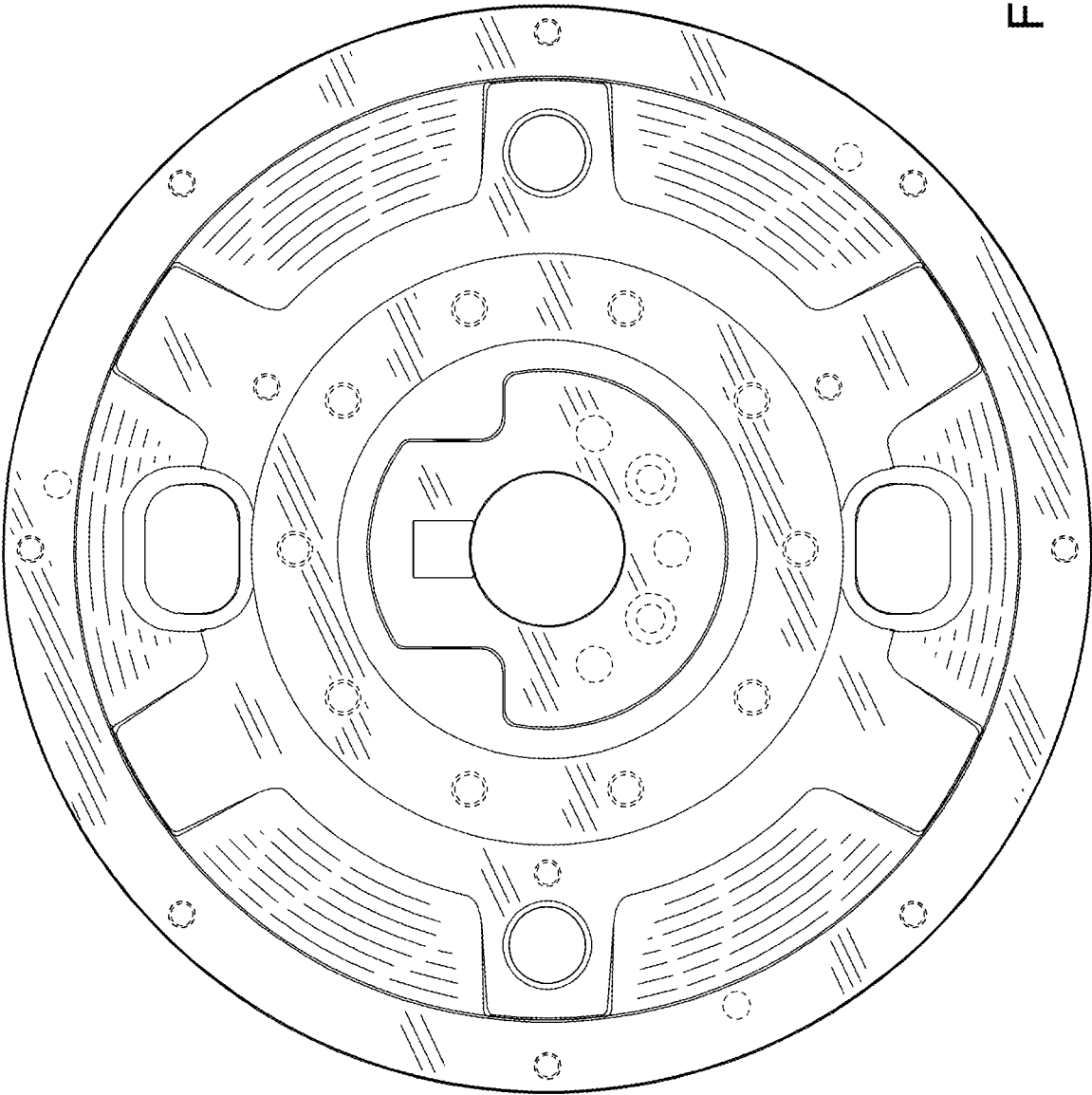


FIG. 4

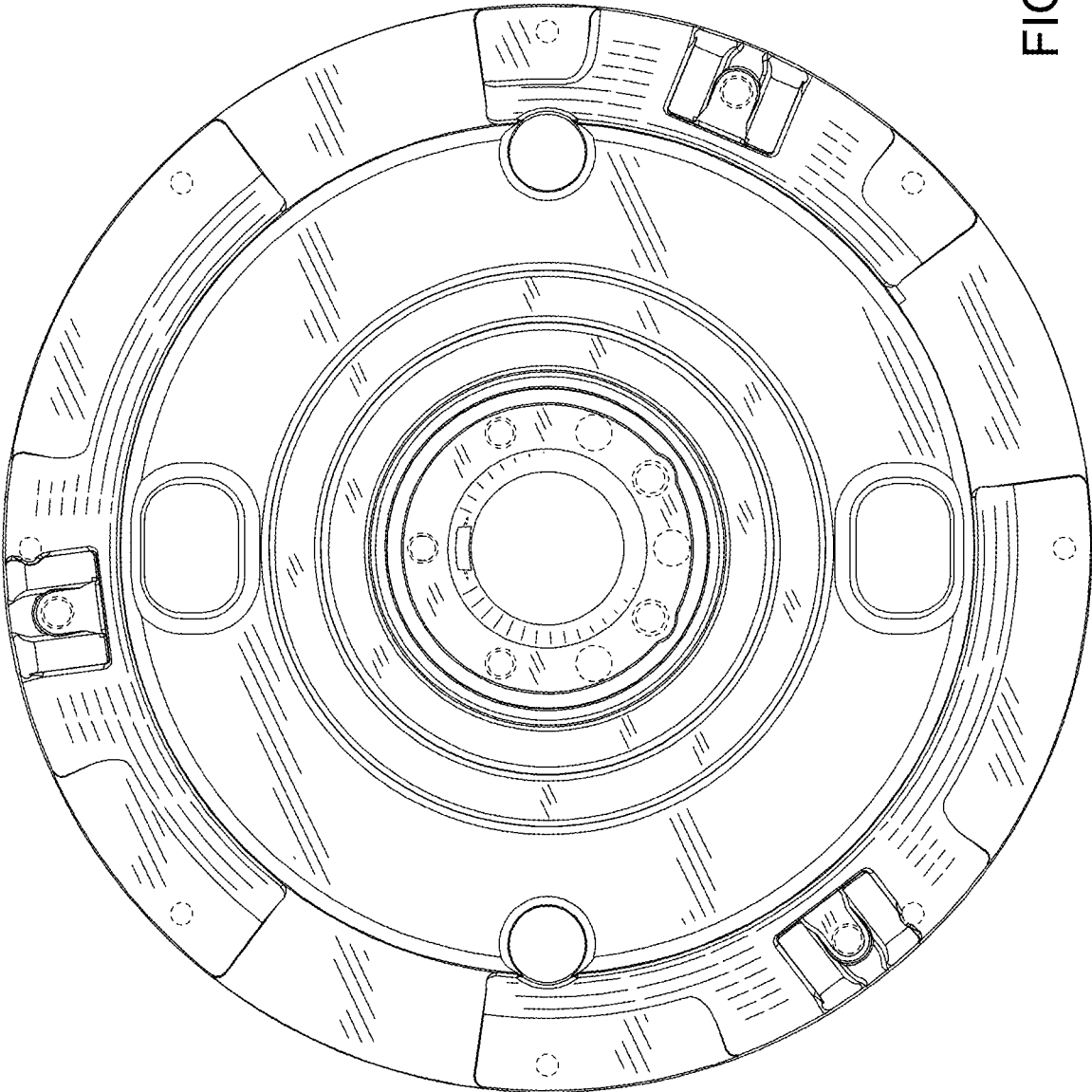


FIG. 5

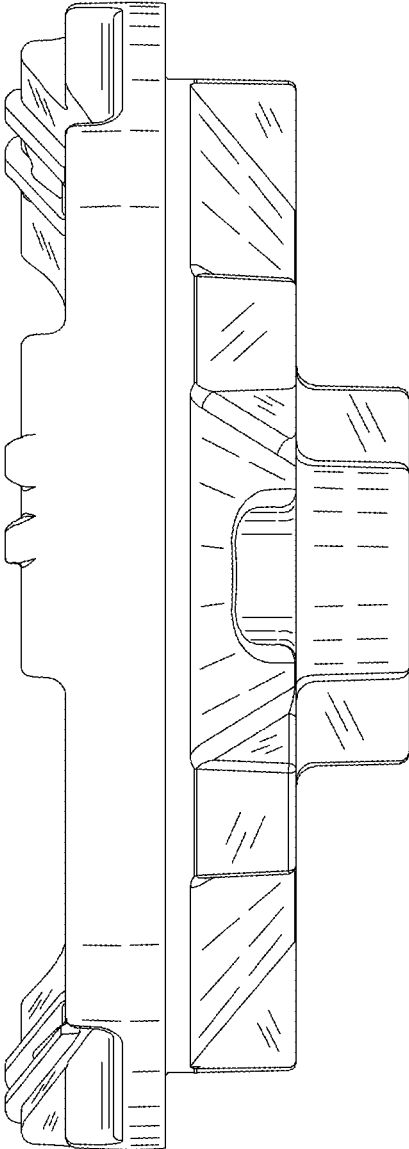


FIG. 6

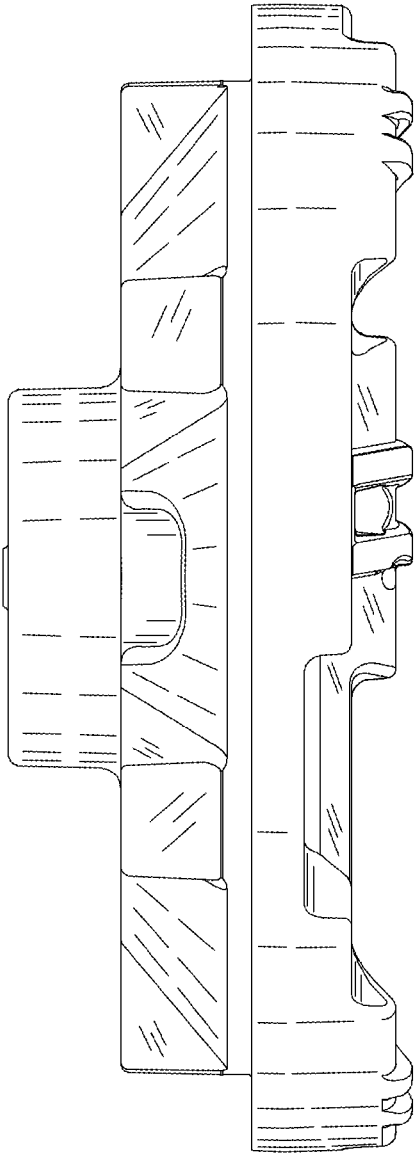


FIG. 7

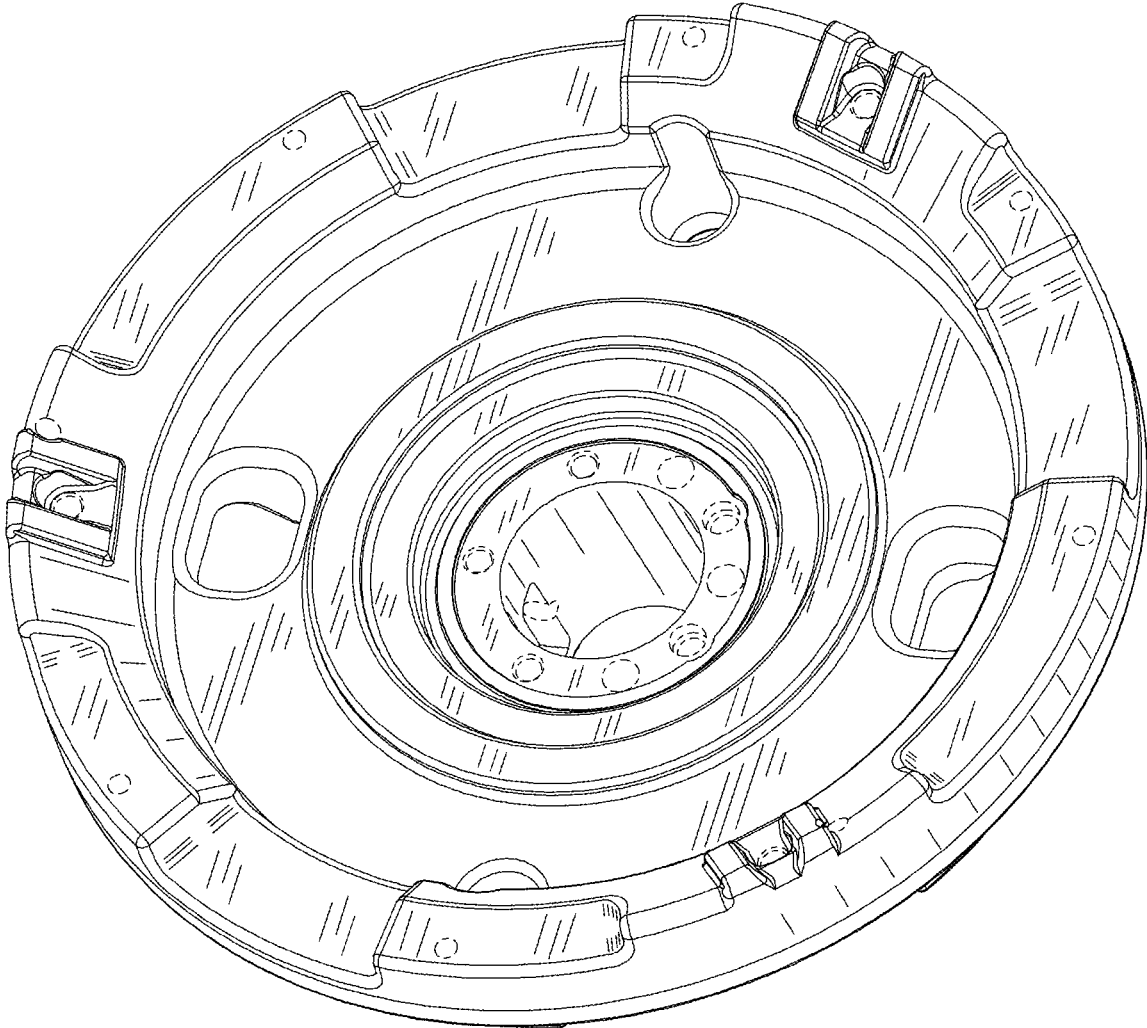


FIG. 8